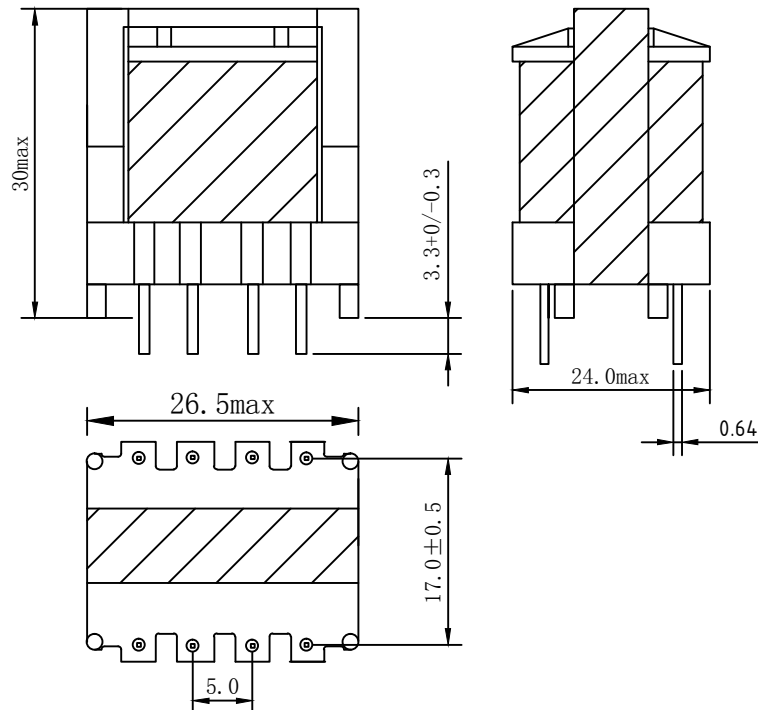


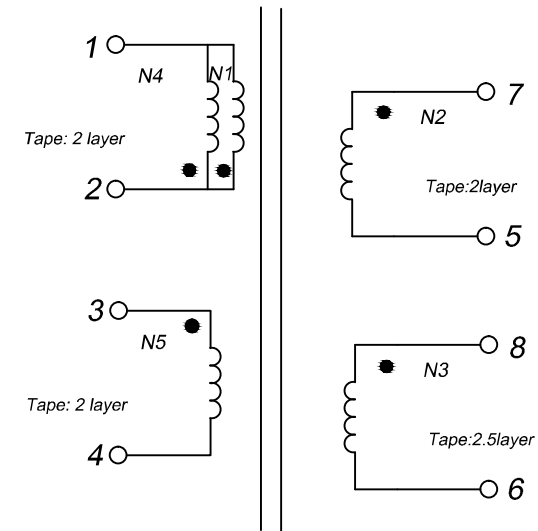
CUSTOMER TERMINAL	ROHS	Lead (Pb) -free
	YES	YES



1. Mechanical Dimensions (Unit:mm)



2. Schematic Diagram



3. Material List

Core:FW40-EE25
 Bobbin:EF25 P-2557
 Wire:2UEW TEX
 Tapes: JY25-A1
 Vranish:T4260GK

4. Electrical Specification

Inductance: $L(2-1)=1.17\text{mH}\pm 10\%$ 1.0KHZ 1.0V
 Leakage Inductance: $L=11.7\mu\text{H}$ max 1.0KHZ 1.0V
 Hi-pot: P to S AC 50HZ 3750V5mA1SEC

REV.	DATE	 Convention Placement	DRW.	Drawing Title: TRANSFORMER	Part No:
0	11/14		CHK.		Customer P/N:
1	07/15		APP.	5 6	Specification Sheet 1 of 1
RoHS		www.ferriwo.com			